

The Different Types of UPS Systems

White Paper 1

Revision 7

by Neil Rasmussen

> Executive summary

There is much confusion in the marketplace about the different types of UPS systems and their characteristics. Each of these UPS types is defined, practical applications of each are discussed, and advantages and disadvantages are listed. With this information, an educated decision can be made as to the appropriate UPS topology for a given need.

Contents

Click on a section to jump to it

Introduction	2
UPS types	2
Summary of UPS types	7
Use of UPS types in the industry	7
Conclusion	9
Resources	10

Introduction

The varied types of uninterruptible power supplies (UPS) and their attributes often cause confusion in the data center industry. For example, it is widely believed that there are only two types of UPS systems, namely standby UPS and on-line UPS. These two commonly used terms do not correctly describe many of the UPS systems available. Many misunderstandings about UPS systems are cleared up when the different types of UPS topologies are properly identified. UPS topology indicates the basic nature of the UPS design. Various vendors routinely produce models with similar designs, or topologies, but with very different performance characteristics.

Common design approaches are reviewed here, including brief explanations about how each topology works. This will help you to properly identify and compare systems.

UPS types

A variety of design approaches are used to implement UPS systems, each with distinct performance characteristics. The most common design approaches are as follows:

- Standby
- Line interactive
- Standby-ferro
- Double conversion on-line
- Delta conversion on-line

The standby UPS

The standby UPS is the most common type used for desktop computers. In the block diagram illustrated in **Figure 1**, the transfer switch is set to choose the filtered AC input as the primary power source (solid line path), and switches to the battery / inverter as the backup source should the primary source fail. When that happens, the transfer switch must operate to switch the load over to the battery / inverter backup power source (dashed path). The inverter only starts when the power fails, hence the name "standby." High efficiency, small size, and low cost are the main benefits of this design. With proper filter and surge circuitry, these systems can also provide adequate noise filtration and surge suppression.

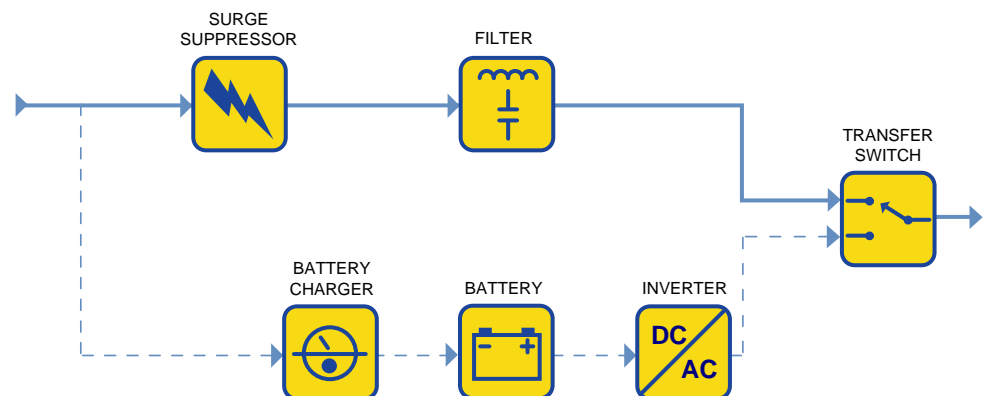


Figure 1
Standby UPS

The line interactive UPS

The line interactive UPS, illustrated in **Figure 2**, is the most common design used for small business, Web, and departmental servers. In this design, the battery-to-AC power converter (inverter) is always connected to the output of the UPS. Operating the inverter in reverse during times when the input AC power is normal provides battery charging.

When the input power fails, the transfer switch opens and the power flows from the battery to the UPS output. With the inverter always on and connected to the output, this design provides additional filtering and yields reduced switching transients when compared with the standby UPS topology.

In addition, the line interactive design usually incorporates a tap-changing transformer. This adds voltage regulation by adjusting transformer taps as the input voltage varies. Voltage regulation is an important feature when low voltage conditions exist, otherwise the UPS would transfer to battery and then eventually down the load. This more frequent battery usage can cause premature battery failure. However, the inverter can also be designed such that its failure will still permit power flow from the AC input to the output, which eliminates the potential of single point failure and effectively provides for two independent power paths. High efficiency, small size, low cost and high reliability coupled with the ability to correct low or high line voltage conditions make this the dominant type of UPS in the 0.5-5 kVA power range.

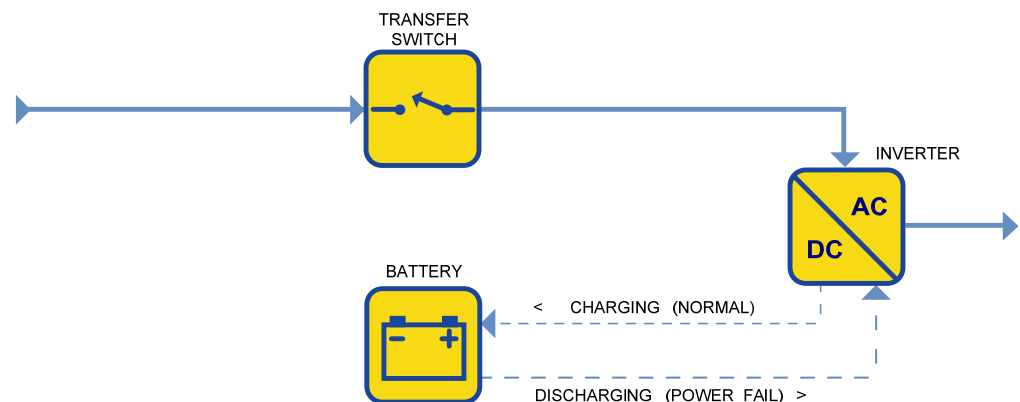


Figure 2

Line interactive UPS

The standby-ferro UPS

The standby-ferro UPS was once the dominant form of UPS in the 3-15 kVA range. This design depends on a special saturating transformer that has three windings (power connections). The primary power path is from AC input, through a transfer switch, through the transformer, and to the output. In the case of a power failure, the transfer switch is opened, and the inverter picks up the output load.

In the standby-ferro design, the inverter is in the standby mode, and is energized when the input power fails and the transfer switch is opened. The transformer has a special "ferro-resonant" capability, which provides limited voltage regulation and output waveform "shaping". The isolation from AC power transients provided by the ferro transformer is as good as or better than any filter available. But the ferro transformer itself creates severe output voltage distortion and transients, which can be worse than a poor AC connection. Even though it is a standby UPS by design, the standby-ferro generates a great deal of heat because the ferro-resonant transformer is inherently inefficient. These transformers are also large relative to regular isolation transformers; so standby-ferro UPS are generally quite large and heavy.

Standby-ferro UPS systems are frequently represented as on-line units, even though they have a transfer switch, the inverter operates in the standby mode, and they exhibit a transfer characteristic during an AC power failure. **Figure 3** illustrates this standby-ferro topology.

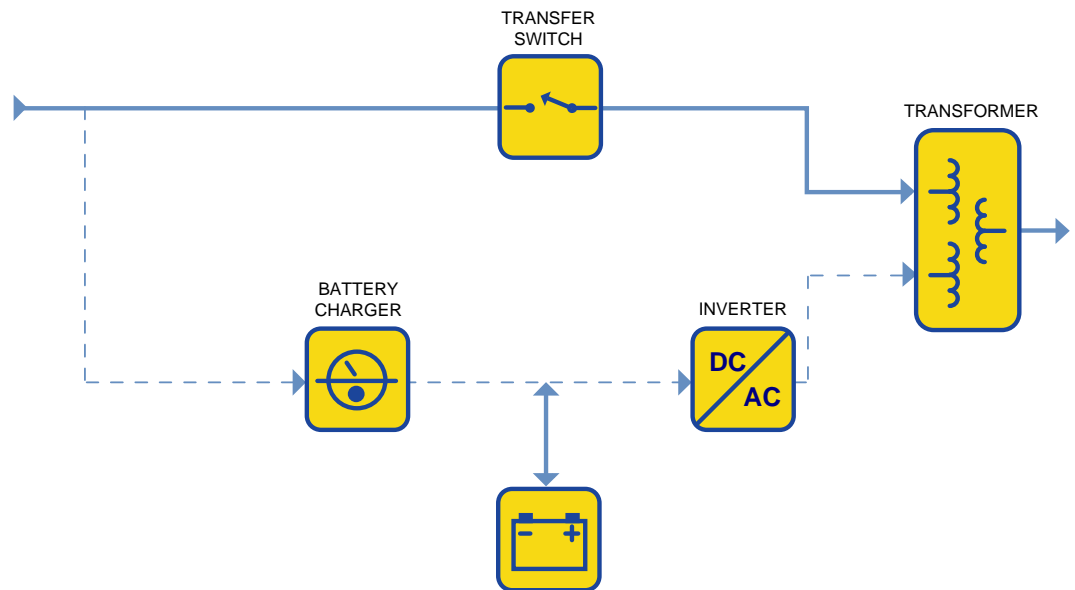


Figure 3
Standby-ferro UPS

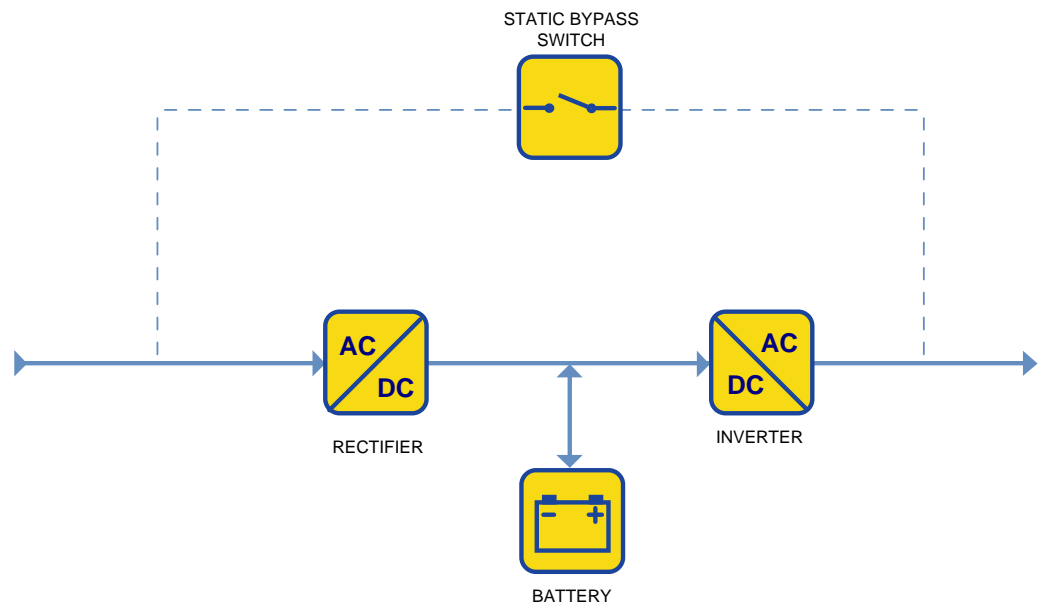
High reliability and excellent line filtering are this design's strengths. However, the design has very low efficiency combined with instability when used with some generators and newer power-factor corrected computers, causing the popularity of this design to decrease significantly.

The principal reason why standby-ferro UPS systems are no longer commonly used is that they can be fundamentally unstable when operating a modern computer power supply load. All large servers and routers use "power factor corrected" power supplies which draw only sinusoidal current from the utility, much like an incandescent bulb. This smooth current draw is achieved using capacitors, devices which 'lead' the applied voltage, ferro resonant UPS system utilize heavy core transformers which have an inductive characteristic, meaning that the current 'lags' the voltage. The combination of these two items form what is referred to as a 'tank' circuit. Resonance or 'ringing' in a tank circuit can cause high currents, which jeopardize the connected load.

The double conversion on-line UPS

This is the most common type of UPS above 10 kVA. The block diagram of the double conversion on-line UPS, illustrated in **Figure 4**, is the same as the standby, except that the primary power path is the inverter instead of the AC main.

Figure 4
Double conversion
on-line UPS



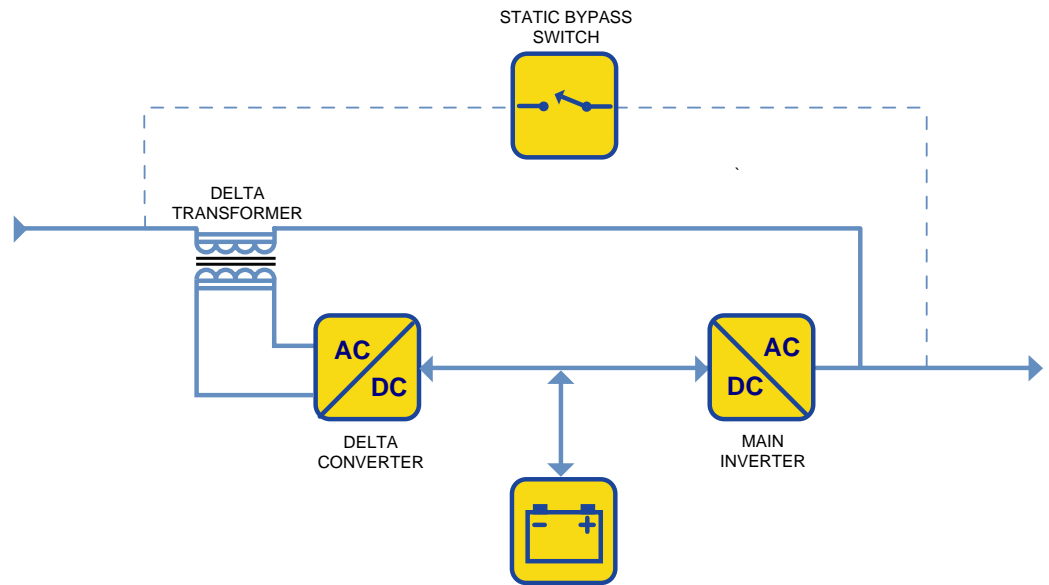
In the double conversion on-line design, failure of the input AC does not cause activation of the transfer switch, because the input AC is charging the backup battery source which provides power to the output inverter. Therefore, during an input AC power failure, on-line operation results in no transfer time. Both the battery charger and the inverter convert the entire load power flow in this design.

This UPS provides nearly ideal electrical output performance. But the constant wear on the power components reduces reliability over other designs. Also, the input power drawn by the large battery charger may be non-linear which can interfere with building power wiring or cause problems with standby generators.

The delta conversion on-line UPS

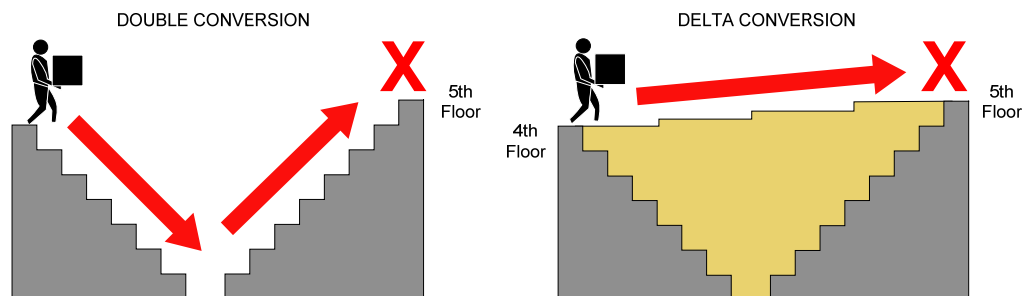
This UPS design, illustrated in **Figure 5**, is a newer, 10 year old technology introduced to eliminate the drawbacks of the double conversion on-line design and is available in sizes ranging from 5 kVA to 1.6 MW. Similar to the double conversion on-line design, the delta conversion on-line UPS always has the inverter supplying the load voltage. However, the additional delta converter also contributes power to the inverter output. Under conditions of AC failure or disturbances, this design exhibits behavior identical to the double conversion on-line.

Figure 5
Delta conversion on-line UPS



A simple way to understand the energy efficiency of the delta conversion topology is to consider the energy required to deliver a package from the 4th floor to the 5th floor of a building as shown in **Figure 6**. Delta conversion technology saves energy by carrying the package only the difference (delta) between the starting and ending points. The double conversion on-line UPS converts the power to the battery and back again whereas the delta converter moves components of the power from input to the output.

Figure 6
Analogy of double conversion vs. delta conversion



In the delta conversion on-line design, the delta converter acts with dual purposes. The first is to control the input power characteristics. This active front end draws power in a sinusoidal manner, minimizing harmonics reflected onto the utility. This ensures optimal utility and generator system compatibility, reducing heating and system wear in the power distribution system. The second function of the delta converter is to control input current in order to regulate charging of the battery system.

The delta conversion on-line UPS provides the same output characteristics as the double conversion on-line design. However, the input characteristics are often different. Delta conversion on-line designs provide dynamically-controlled, power factor corrected input, without the inefficient use of filter banks associated with traditional solutions. The most important benefit is a significant reduction in energy losses. The input power control also makes the UPS compatible with all generator sets and reduces the need for wiring and generator oversizing. Delta conversion on-line technology is the only core UPS technology today protected by patents and is therefore not likely to be available from a broad range of UPS suppliers.

During steady state conditions the delta converter allows the UPS to deliver power to the load with much greater efficiency than the double conversion design.

Summary of UPS types

Table 1 shows some of the characteristics of the various UPS types. Some attributes of a UPS, like efficiency, are dictated by the choice of UPS type. Since implementation and manufactured quality more strongly impact characteristics such as reliability, these factors must be evaluated in addition to these design attributes.

	Practical power range (kVA)	Voltage conditioning	Cost per VA	Efficiency	Inverter always operating
Standby	0-0.5	Low	Low	Very High	No
Line interactive	0.5-5	Design Dependent	Medium	Very High	Design Dependent
Standby-ferro	3-15	High	High	Low - Medium	No
Double conversion on-line	5-5000	High	Medium	Low - Medium	Yes
Delta conversion on-line	5-5000	High	Medium	High	Yes

Table 1
UPS characteristics

Use of UPS types in the industry

 Link to resource
White Paper 98

The Role of Isolation Transformers in Data Center UPS Systems

The current UPS industry product offering has evolved over time to include many of these designs. The different UPS types have attributes that make them more or less suitable for different applications and the APC by Schneider Electric product line reflects this diversity as shown in **Table 2**. Energy efficiency has also play a large role in UPS designs. For example, most UPS systems do not include the internal transformers that were present in earlier designs. This evolution has increased efficiency while decreasing the weight, size, and raw materials consumption of UPS systems. Eco-mode is another example of energy efficiency but does come with some cost / benefit tradeoffs. For more information on these two topics, see White Paper 98, *The Role of Isolation Transformers in Data Center UPS Systems* and White Paper 157, *Eco-mode: Benefits and Risks of Energy-saving Modes of UPS Operation*.

 Link to resource
White Paper 157

Eco-mode: Benefits and Risks of Energy-saving Modes of UPS Operation

Table 2
UPS architecture
characteristics

	Commercial products	Benefits	Limitations	APC's findings
Standby	APC Back-UPS Tripp-Lite Internet Office	Low cost, high efficiency, compact	Uses battery during brownouts, impractical over 2kVA	Best value for personal workstations
Line interactive	APC Smart-UPS Powerware 5125	High reliability, high efficiency, good voltage conditioning	Impractical over 5kVA	Most popular UPS type in existence due to high reliability, ideal for rack or distributed servers and/or harsh power environments
Standby-ferro	Commercial product availability limited	Excellent voltage conditioning, high reliability	Low efficiency, unstable in combination with some loads and generators	Limited application because low efficiency and instability issues are a problem, and N+1 on-line design offers even better reliability
Double conversion on-line	APC Smart-UPS On-Line APC Smart-UPS VT APC Symmetra ¹ MGE Galaxy MGE EPS Liebert NX	Excellent voltage conditioning, ease of paralleling	Lower efficiency with older models, expensive under 5kVA	Well suited for N+1 designs
Delta conversion on-line	APC Symmetra MW	Excellent voltage conditioning, high efficiency	Impractical under 5kVA	High efficiency reduces the substantial life-cycle cost of energy in large installations

¹ All Symmetra UPS models are on-line double-conversion except for the Symmetra MW which is on-line delta conversion.

Conclusion

Various UPS types are appropriate for different uses, and no single UPS type is ideal for all applications. The intent of this paper is to contrast the advantages and disadvantages of the various UPS topologies on the market today.

Significant differences in UPS designs offer theoretical and practical advantages for different purposes. Nevertheless, the basic quality of design implementation and manufactured quality are often dominant in determining the ultimate performance achieved in the customer application.



About the author

Neil Rasmussen is a Senior VP of Innovation for Schneider Electric. He establishes the technology direction for the world's largest R&D budget devoted to power, cooling, and rack infrastructure for critical networks.

Neil holds 19 patents related to high-efficiency and high-density data center power and cooling infrastructure, and has published over 50 white papers related to power and cooling systems, many published in more than 10 languages, most recently with a focus on the improvement of energy efficiency. He is an internationally recognized keynote speaker on the subject of high-efficiency data centers. Neil is currently working to advance the science of high-efficiency, high-density, scalable data center infrastructure solutions and is a principal architect of the APC InfraStruXure system.

Prior to founding APC in 1981, Neil received his bachelors and masters degrees from MIT in electrical engineering, where he did his thesis on the analysis of a 200MW power supply for a tokamak fusion reactor. From 1979 to 1981 he worked at MIT Lincoln Laboratories on flywheel energy storage systems and solar electric power systems.



Resources

Click on icon to link to resource



The Role of Isolation Transformers in Data Center UPS Systems

White Paper 98



Eco-mode: Benefits and Risks of Energy-saving Modes of UPS Operation

White Paper 157



White Paper Library

whitepapers.apc.com



TradeOff Tools™

tools.apc.com



Contact us

For feedback and comments about the content of this white paper:

Data Center Science Center
DCSC@Schneider-Electric.com

If you are a customer and have questions specific to your data center project:

Contact your **Schneider Electric** representative